



INSTALLATION AND
SERVICE GUIDE

EASY INSTALLATION IN 7 STEPS

IDENTIFICATION OF INCLUDED PARTS

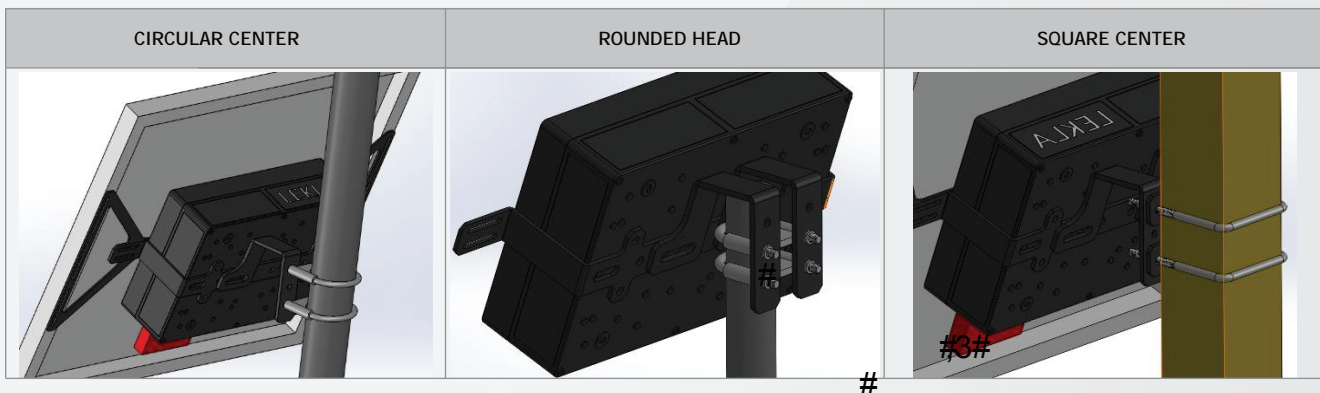
Verify and count each part included with your IBOX | LEKLA Energy Station according to the following check-list:

ITEM NO	DESCRIPTION	QUANTITÉ
1	Solar panel 50W	1
2	Battery system	1
3	Pole support	1
4	LED light	1
5	LED light support	1

* Some parts may vary according to customer specifications.

* Should a part be missing, please call 1 (819) 769-0350.

IBOX ASSEMBLY



INSTALLATION

1. Orient the solar panel due south (avoiding shade) and secure the battery system using the pole support.
2. Disconnect the solar panel from the battery system (if not already done).
3. Connect the LED light to the battery.
4. Turn ON the switch underneath the battery.
5. Wait 10 minutes for the light to come on.
6. Connect the solar panel to the battery (the light goes out upon detecting the solar panel and brightness).
7. Wait 10 minutes for the light to go out.

Your IBOX | LEKLA ENERGY STATION is now functional.

RECOMMANDATION

In order to achieve optimum energy storage from this solar system, ensure that the solar panel is completely unobstructed and not in the shade. Photovoltaic cells operate in series and are interconnected, if one of the cells is in the shade, the overall operation of the system may be compromised.

IN THE EVENT OF A FAILURE

Proceed in the following order:

1. Check the connections and make sure the cables are not damaged.
2. Check the fuse inside the battery system.
3. Check the voltage of your battery system using a multimeter.
 - If the reading is greater than 9 V:
Let the battery recharge in the sun. The recharge mode is initiated when an interruption occurs.
A full charge is completed before the system restarts.
 - If the reading is lower than 9 V:
Manually recharge the battery. The charge controller is switched off. Access the battery and recharge using a smart charger. Use a charger of less than 8 A

IMPORTANT - Safety warning

Please read this installation guide carefully, it contains important information and notes regarding the installation and start-up of your IBOX | LEKLA Energy Station.

Make sure handling and installation of the IBOX | LEKLA Energy Station is carried out by experienced personnel.

Do not modify the structure or any of the components of this product.

If in doubt, visit our website lekla.ca or contact us at LEKLA 819-769-0350.